





SAFETY RULES

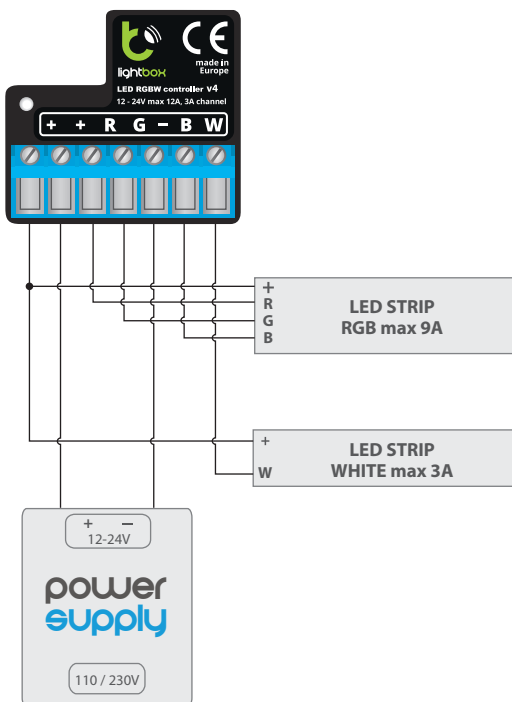
-  Do not connect loads with more than permissible power.
-  Connect only in accordance with the diagram presented in the manual. Improper connections may be dangerous, it can damage the controller, and loss of the warranty.
-  DANGER! Risk of electric shock! Even with the device turned off, the outputs may be live. All assembly work should be ALWAYS performed with the disconnected power circuit.
-  Connecting the device to a power supply that does not meet the quality requirements specified in EN 50081-1, EN 50082-1, UL508, EN 60950 will invalidate the warranty.

1 INSTALLATION

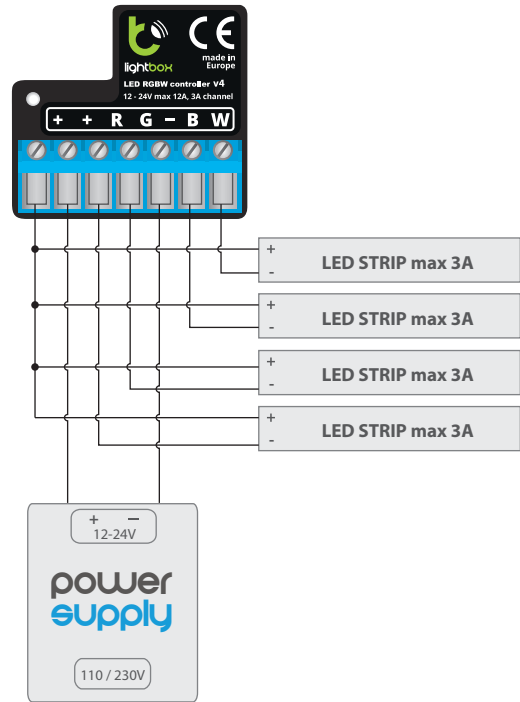
- Disconnect the installation supply voltage before installing the controller. Remember that any mounting works should be carried out when the mains voltage is disconnected.
- The controller should be installed in a place protected against adverse environmental conditions, protected from third party access. It is recommended that the device be mounted in a stable and fixed position.

CONNECTION DIAGRAMS

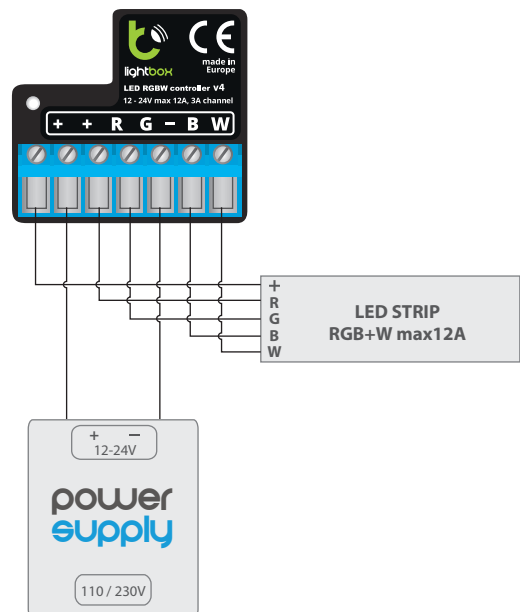
- lightBox v4 + RGB LED strip + 1-channel LED strip (white color)



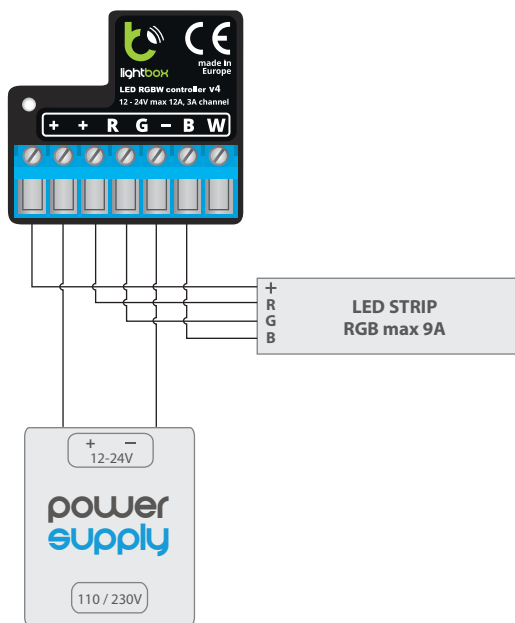
- lightBox v4 + 4 single-channel LED strip



- lightBox v4 + 4-channel RGBW LED strip



- lightBox v4 + RGB LED strip



- Familiarize yourself with the diagram and then proceed with the installation of the controller. Pay special attention to the designation of the controller connectors. Start by connecting the power wires: (+) (red or black with a white dotted line) and (-) (black).
- Connect the LED strip paying attention to the polarity. Depending on the use, it is possible to connect one RGBW strip, one RGB strip, one RGB strip with a single white strip or four monochromatic strips (single-colour). The "+" anode wire (usually white color in multicolored strips or red in white strips) must be connected to the "+" connector of the controller, and the cathode wire "-" (color corresponding to each color of the LEDs in multi-color strips, white color in white strips) to the corresponding output, i.e. R, G, B or W. The controller also allows to control halogen lamps, the polarity of the wiring is not important.
- After making sure that the device is connected in accordance with the diagram and that there are no metal components near the controller which may accidentally cause short-circuit, start the device by turning on the power (turning on the mains fuse or connecting the power cord to the power outlet).

2

FIRST START

- Download the **free "BleBox - smart world" application** (with green logo). If you have an Android mobile device, you will find the application in the Play Store. For iOS devices the application is in the App Store.
- Open the application. The "lightBox" device will be automatically detected and displayed on the list. If this does not happen, make sure that Bluetooth has been turned on in your phone.
- Choose the device and test it work - select color from the color selection circle and set the brightness using the scrollbar on the right. Test the controller's work by moving the brightness scrollbar several times in the extremes and intermediate positions - the light source should change its brightness. If you have RGBW strip, select the brightness of the white channel with the horizontal scrollbar.
- The control panel also has an additional effects menu – the access to it is achieved by moving-up the screen from the bottom ("More" at the bottom of the screen). In the menu you can choose predefined colors and set the duration of the color, or choose a predefined lighting effect and set the transition times.

- In the upper right corner of the control screen you can go to the controller settings section. It is possible to set the device name displayed in the application and the color mode. If you choose monochrome mode, instead of the color selection wheel, four independent sliders will appear on the control screen to allow you to independently adjust the brightness of individual channels. Remember that settings for a given driver are saved only in the application, not in the controller memory.
- Due to the Bluetooth specification, it is not possible to simultaneously control the controller from more than one phone / tablet at a time (i.e. at any time the control screen can be opened on only one phone) - the driver will not be visible on the device list on other devices.

TECHNICAL SPECIFICATIONS

supply voltage	12 – 24V DC
maximum current	12A (3A /channel)
energy consumption	< 1W
number of outputs	4
color mode	RGB / RGBW / 4x MONO
dimensions	40 x 38 x 20 mm
protection level	IP20
housing	made of polyurethane composition not containing halogens, self-extinguishing for thermal class B (130°C)
protection	inverted polarization, ESD
mounting method	in the flush-mounted box, on the lamp housing, directly connected to the LED strip, e.g. furniture
communication technology	Bluetooth Low Energy 4.2
transmission type	bi-directional
radio frequency	2.4 GHz
range	up to 20 m in open space (inside buildings the range may be limited to 10 m depending of the construction materials used in building and device positioning)
compatibility	Apple iPhone 4s, iPad 3, iPad mini, Android 4.3 and newer

for å få mer informasjon besøk vår nettside

www.bleboxnorge.no

eller send en e-post til post@bleboxnorge.no

made in europe



proudly made by
blebox